



Vitherm SA

33 Kelly Road Unit 18
 JetPark, 1459, South Africa
 Telephone: +27 (0)11 894-1386
 Website: www.vithermsa.co.za

info@vithermsa.co.za
sales@vithermsa.co.za
tristan@vithermsa.co.za
carl@vithermsa.co.za (Zambia)
accounts@vithermsa.co.za
gary@vithermsa.co.za
ryan@vithermsa.co.za



OIL DRUM HEATER

Size(mm)	Voltage(v)	Power(w)
1740x250	110v/220v	2000w
1740x125		1500w
860x200	110v/220v	800w

Note: Above are based on heater + springs +1.5 meters wire + 30-150°C knob temperature controller.

If you have any other requirements, like if you want to use velcro strips instead of springs, wire plug and etc., please contact us and we will provide a detailed quotation.

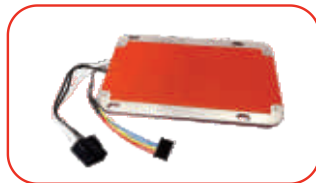


Knob
 Temperature Controller



The heater is designed to easily take viscous liquid or solids out of drum. Heating adhesive, grease, asphalt, paint, wax oil or various resinous materials in drum will bring to constant viscosity. And consequently minimum use of pumping power. You can use it regardless of climatic or seasonal changes.


The temperature controller is on heater surface, it directly controls the temperature.





CONTENTS

02	●	Silicone Rubber Heater
03	●	Application
05	●	3D Printer Heating Pad
07	●	Medical Device Heater
08	●	Engine Oil Pan Heater
09	●	Oil Drum Heater
10	●	Silicone Rubber Heating Strip



Silicone Rubber Heater

1. The heater is a flexible, thin and flat heating element that could be used in place of metallic heaters.

It consists of two sheets. Each sheet consist of two (upper and lower) glass clothes which are calendered with silicone rubber.

It has high thermal response, since it is a thin sheet type. (Standard thickness 1.5mm)

It will be perfectly fitted to heated to heated objects with curved surfaces or cylindrical shape, since it has high flexibility.

Generally, the main component of flat heating element is carbon. However the heater uses patterned nickel alloy resistance wires which can be more safely used.

2. The heater can be made into your ideal shape.

Different from general carbon type heaters, the design can be made to fit to the shape of heated object. For example, in a round or triangle with (without) holes.

Our patented method makes us possible to deliver even one heater in a short term.

3. The heater could be designed with your creative sense of heat for the development of new products.

The heater have been used as parts for equipment and facilities in various industries.

The thin and flexible sheet type heater is ideal for lightening and miniaturizing.

The thermal controller is necessary for the heater, since its temperature rising is fast but has no self thermal controller.

4. The heater standard type, E type, MG type can be continuously and semipermanently used at 200°C.

It can be adhered easily to a heated object

100°C or below.....Double side adhesive tapes

1000°C~150°C.....Silicone adhesive(RTV)

Integrated backing processing at our factory is recommended for continuous use at 150°C or over.

5. The heater H type can be semioermanently used at 300°C.

It can be adhered easily to a heated object.



Flexible



Special shape



Special shape

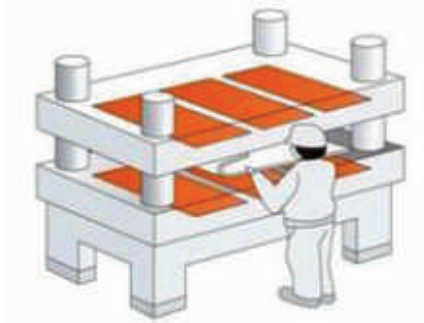
Application

Hot pressures for cloting manufacture

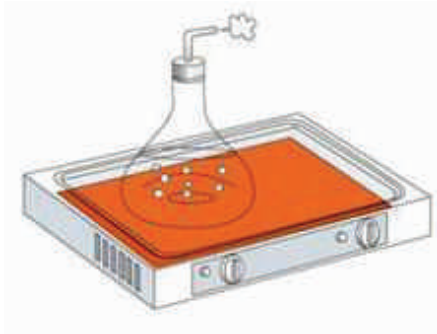
Hot pressure for manufacturing electric mat

Hot pressure for printing plywood

General machinery manufacture



Electrical machinery and devices



Heating plates for coffee makers

Barrels heating



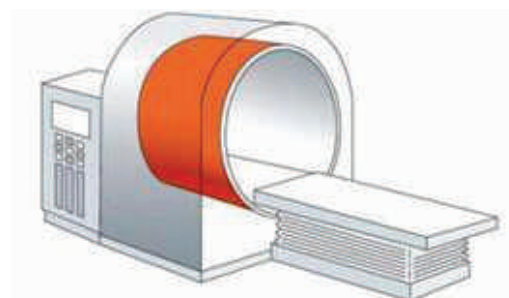
Heater for barrels and hoses

General machinery manufacture



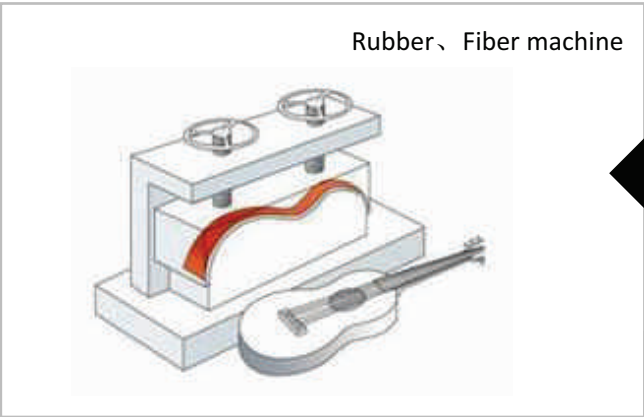
Damp proofing and Heating for large silos

Medical instruments

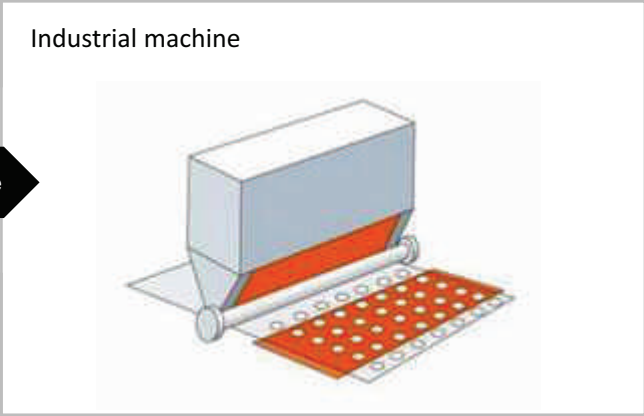


Magnetic stabilizing heater for MR Scanner

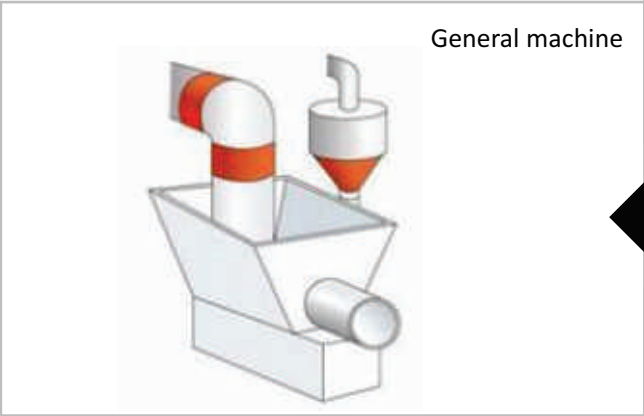
Application



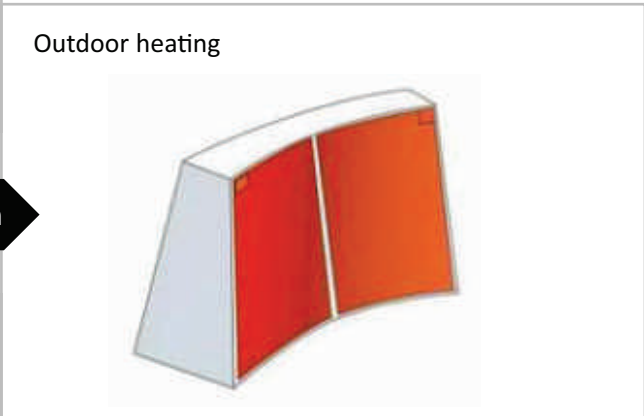
Heating pressures for shaping musical instruments



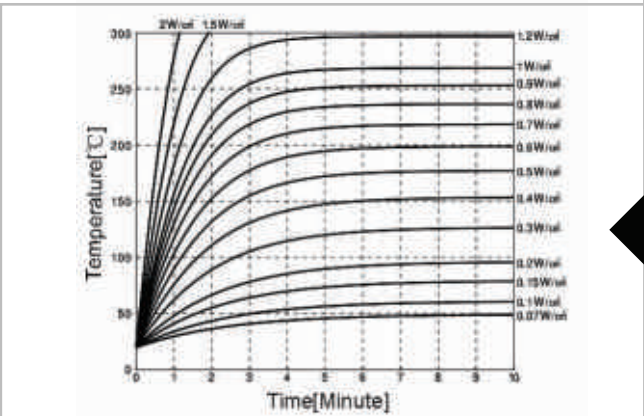
Heaters for drying paraffin for cloth-drying machine



Dust collector hopper.(For powder dehumidifying)



Cement be careful about one's health



The table is a result of surface temperature

Note: It is tested in a normal temperature. The surface temperature will changed according to the used environment, material and shape of heating objects.

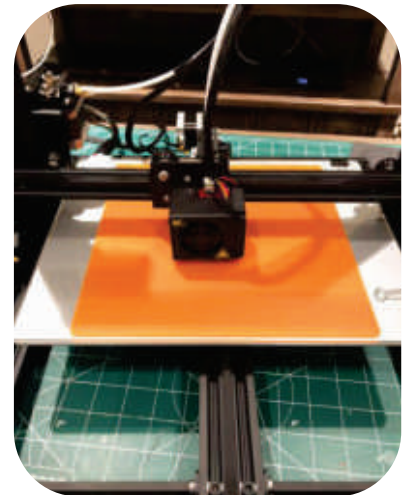


3D Printer Heating Pad

3D printer is widely used all over the world. When it works, it needs to keep printing material in high temperature. The best way is to install silicone heating pad to get high temperature.

Normal the size of heating pads are customized by different machine size. They will keep max temperature around 150°C.

The pad can have 3M adhesive in the back to easy installation. Normal it can add heat protector, temperature sensor and temperature controller according to customers' requirements.



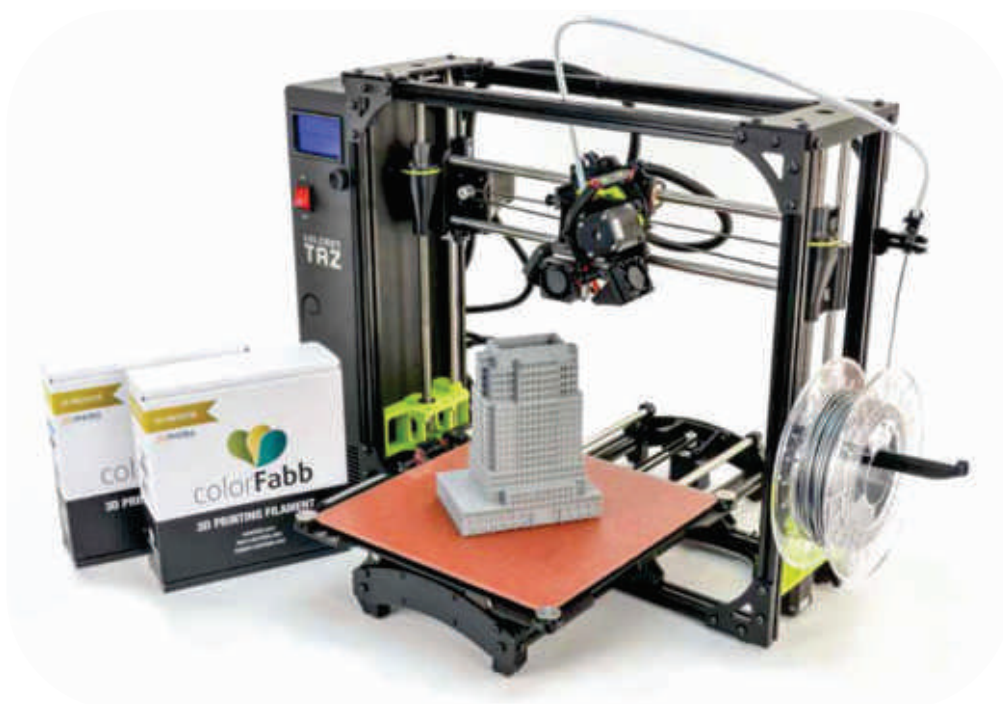
3d printer heater



Heater with 3M tape



Temperature controller

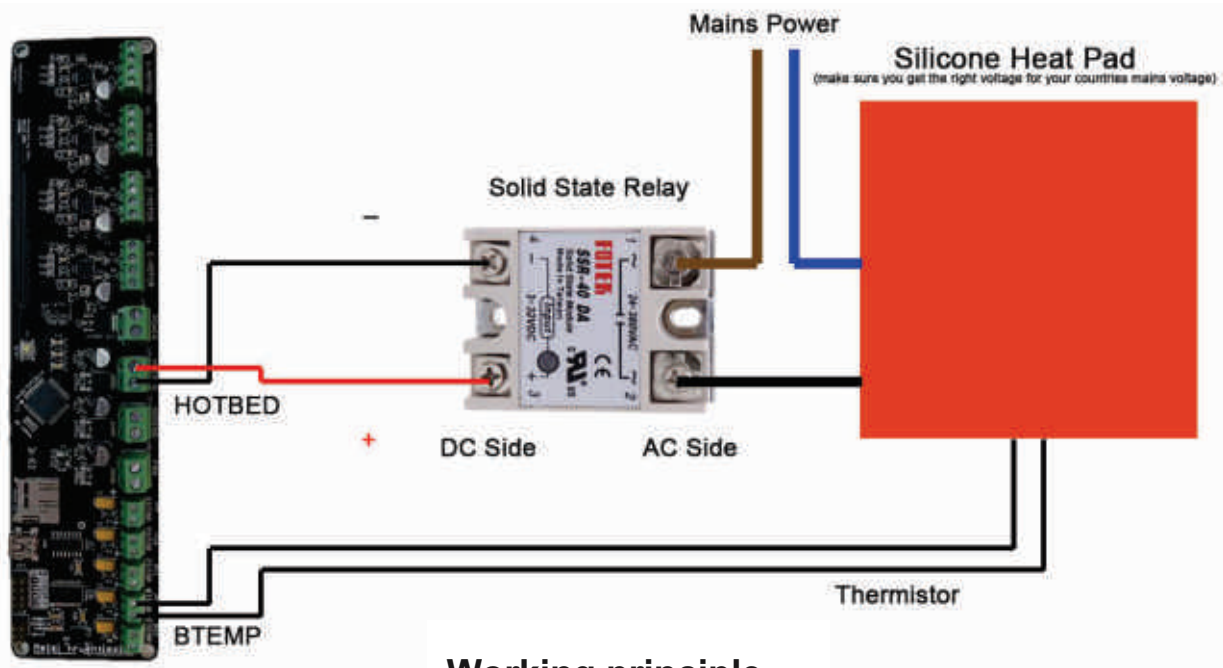


3D Printer Heating Pad

Size(mm)	Voltage(v)	Power(w)
100x100	12v~230v	Customized
190x190		
200x200		
250x250		
290x290		
300x300		
400x400		
500x500		

Note: Above price just based on 1pcs heater + 1 meter wire + 3M adhesive. Voltage&Power can be customized according to customer requirement.

If you have any other requirement like printing, thermistor and etc. The cost will different. Details can contact us and we will provide a satisfied quotation according to the quantity.



Working principle



Medical Device Heater

The line of silicone etch foil flexible heaters offer up to twice the wattage of traditional wire wound heaters and feature complex heat distribution, excellent circuit repeatability, and the elimination of edge loss due to compensation using distributed wattage. They are ideal for various medical device applications like dialysis, CPAP, blood or fluid warming, and sterilization.



Also they are widely used on medical experiment. People use it to heat beaker, syringe. They are more easier to operate and can get high temperature within short time.





Engine Oil Pan Heater

Engine oil heaters offer an effective solution to preheating the oil in your engine prior to initially start up. The low profile heater pads are designed using aerospace technology and attach to the sump pan or dry sump pan via the 'peel and stick' highly adhesive backing. Heat up time is 45-90 minutes depending on ambient temperature and heaters are capable of raising the oil to near full operating temperature.

Size	Voltage	Power
1"x5" inch(25.4x127mm)	120v/240v	25w
2"x5" inch(50.8x127mm)		50w
4"x5" inch(101.6x127mm)		150w
5.5"x8.5"inch(139.7x215.9mm)		250w
127x127mm		30w
170x260mm		200w
77x255mm		100w
230x380mm		400w

Note: Above quotation are based on 1 pcs heater + 3M adhesive + 1.8 meters wire with USA(Europe) Plug.

If you have any other requirement, like add heat thermistor, spring, velcro strips.... Please contact us and we will provide detail quotation.





Silicone Rubber Heating Strip

Silicone rubber heating strip is a particularly soft heating strip. It consists of nickel-chromium alloy wire and insulating material. It has advantage of high power density, fast heating speed, high thermal efficiency and long life. In addition to heating for general constant power zones. It can be also used where needs to be heated. Silicone rubber heating strip has good waterproof. It can be used for wet, non-explosive gas places. It can be wound on the heated parts directly. It is easy to install, safe and reliable. It can be applied in cold areas, the main function of pipes and solar energy is for the hot water pipe insulation, snowing melting and so on.



Features:

- (1) Flexible and can directly be wound on the heating device.
- (2) It can be bent and wounded arbitrarily on the heating object. It takes small space and be installed simple. The tin copper braids can prevent mechanical damage when the heating elements is covered by silicone insulator.



Vitherm SA

33 Kelly Road Unit 18

JetPark, 1459, South Africa

Telephone: +27 (0)11 894-1386

Website: www.vithermsa.co.za

info@vithermsa.co.za

sales@vithermsa.co.za

tristan@vithermsa.co.za

carl@vithermsa.co.za (Zambia)

accounts@vithermsa.co.za

gary@vithermsa.co.za

ryan@vithermsa.co.za